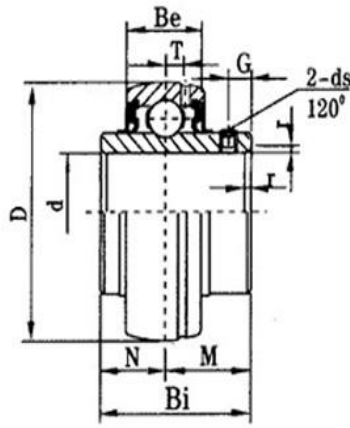


B-type Seal



L3-type Seal

轴承型号 BEARING NO.	轴径 SHAFT DIA		外形尺寸 (mm) Dimensions (in) or (mm)									额定负载 (KN)		重量 Weight
	din	dmm	D	Bi	Be	r	N	M	G	ds	T	Cr	Cor	(kg)
SUC201S		12	40	27.4	15	1	11.5	15.9	4.5	M5×0.8	3.5	7.65	3.6	0.12
SUC201-8S	1/2		40	27.4	15	1	11.5	15.9	4.5	M5×0.8	3.5	7.65	3.6	0.12
SUC202S		15	40	27.4	15	1	11.5	15.9	4.5	M5×0.8	3.5	7.65	3.6	0.11
SUC202-10S	5/8		40	27.4	15	1	11.5	15.9	4.5	M5×0.8	3.5	7.65	3.6	0.11
SUC203S		17	40	27.4	15	1	11.5	15.9	4.5	M5×0.8	3.5	7.65	3.6	0.1
SUC203-11S	11/16		40	27.4	15	1	11.5	15.9	4.5	M5×0.8	3.5	7.65	3.6	0.1
SUC201		12	47	31	17	1	12.7	18.3	4.7	M6×0.75	4	10.37	5.08	0.21
SUC201-8	1/2		47	31	17	1	12.7	18.3	4.7	M6×0.75	4	10.37	5.08	0.2
SUC202		15	47	31	17	1	12.7	18.3	4.7	M6×0.75	4	10.37	5.08	0.19
SUC202-10	5/8		47	31	17	1	12.7	18.3	4.7	M6×0.75	4	10.37	5.08	0.19
SUC203		17	47	31	17	1	12.7	18.3	4.7	M6×0.75	4	10.37	5.08	0.18
SUC203-11	11/16		47	31	17	1	12.7	18.3	4.7	M6×0.75	4	10.37	5.08	0.18
SUC204		20	47	31	17	1	12.7	18.3	4.7	M6×0.75	4	10.37	5.08	0.16
SUC204-12	3/4		47	31	17	1	12.7	18.3	4.7	M6×0.75	4	10.37	5.08	0.16
SUC205		25	52	34.1	17	1.5	14.3	19.8	5	M6×0.75	4.2	11.31	6	0.19
SUC205-14	7/8		52	34.1	17	1.5	14.3	19.8	5	M6×0.75	4.2	11.31	6	0.22
SUC205-15	15/16		52	34.1	17	1.5	14.3	19.8	5	M6×0.75	4.2	11.31	6	0.2
SUC205-16	1		52	34.1	17	1.5	14.3	19.8	5	M6×0.75	4.2	11.31	6	0.19
SUC206		30	62	38.1	19	2	15.9	22.2	5	M6×0.75	5	15.81	8.64	0.31
SUC206-18	1 1/8		62	38.1	19	2	15.9	22.2	5	M6×0.75	5	15.81	8.64	0.34
SUC206-19	1 3/16		62	38.1	19	2	15.9	22.2	5	M6×0.75	5	15.81	8.64	0.32
SUC206-20	1 1/4		62	38.1	19	2	15.9	22.2	5	M6×0.75	5	15.81	8.64	0.31
SUC207		35	72	42.9	20	2	17.5	25.4	6	M8×1	5.7	20.83	11.68	0.46
SUC207-20	1 1/4		72	42.9	20	2	17.5	25.4	6	M8×1	5.7	20.83	11.68	0.52
SUC207-21	1 5/16		72	42.9	20	2	17.5	25.4	6	M8×1	5.7	20.83	11.68	0.5
SUC207-22	1 3/8		72	42.9	20	2	17.5	25.4	6	M8×1	5.7	20.83	11.68	0.48
SUC207-23	1 7/16		72	42.9	20	2	17.5	25.4	6	M8×1	5.7	20.83	11.68	0.46
SUC208		40	80	49.2	21	2	19	30.2	8	M8×1	6.3	23.55	13.6	0.63
SUC208-24	1 1/2		80	49.2	21	2	19	30.2	8	M8×1	6.3	23.55	13.6	0.68
SUC208-25	1 9/16		80	49.2	21	2	19	30.2	8	M8×1	6.3	23.55	13.6	0.64
SUC209		45	85	49.2	22	2	19	30.2	8	M8×1	6.3	26.35	15.6	0.7
SUC209-26	1 5/8		85	49.2	22	2	19	30.2	8	M8×1	6.3	26.35	15.6	0.78
SUC209-27	1 11/16		85	49.2	22	2	19	30.2	8	M8×1	6.3	26.35	15.6	0.74
SUC209-28	1 3/4		85	49.2	22	2	19	30.2	8	M8×1	6.3	26.35	15.6	0.7
SUC210		50	90	51.6	24	2.5	19	32.6	10	M10×1.25	6.6	28.48	18	0.78
SUC210-30	1 7/8		90	51.6	24	2.5	19	32.6	10	M10×1.25	6.6	28.48	18	0.85
SUC210-31	1 15/16		90	51.6	24	2.5	19	32.6	10	M10×1.25	6.6	28.48	18	0.8
SUC210-32	2		90	51.6	24	2.5	19	32.6	10	M10×1.25	6.6	28.48	18	0.78



B-type Seal



L3-type Seal

轴承型号 BEARING NO.	轴径 SHAFT DIA		外形尺寸 (mm) Dimensions (in) or (mm)									额定负载 (KN)		重量 Weight
	din	dmm	D	Bi	Be	r	N	M	G	ds	T	Cr	Cor	(kg)
SUC211		55	100	55.6	25	2.5	22.2	33.4	10	M10×1.25	7	35.28	22.4	1.07
SUC211-32	2		100	55.6	25	2.5	22.2	33.4	10	M10×1.25	7	35.28	22.4	1.22
SUC211-34	2 1/8		100	55.6	25	2.5	22.2	33.4	10	M10×1.25	7	35.28	22.4	1.1
SUC211-35	2 3/16		100	55.6	25	2.5	22.2	33.4	10	M10×1.25	7	35.28	22.4	1.05
SUC212		60	110	65.1	27	2.5	25.4	39.7	10	M10×1.25	7.6	42.5	26.34	1.52
SUC212-36	2 1/4		110	65.1	27	2.5	25.4	39.7	10	M10×1.25	7.6	42.5	26.34	1.65
SUC212-38	2 1/8		110	65.1	27	2.5	25.4	39.7	10	M10×1.25	7.6	42.5	26.34	1.49
SUC212-39	2 7/16		110	65.1	27	2.5	25.4	39.7	10	M10×1.25	7.6	42.5	26.34	1.42
SUC213		65	120	65.1	28	2.5	25.4	39.7	10	M10×1.25	8.9	46.5	30.4	1.8
SUC213-40	2 1/2		120	65.1	28	2.5	25.4	39.7	10	M10×1.25	8.9	46.5	30.4	1.88
SUC214		70	125	74.6	30	2.5	30.2	44.4	12	M12×1.5	8.9	50.15	33.6	2.06
SUC214-44	2 3/4		125	74.6	30	2.5	30.2	44.4	12	M12×1.5	8.9	50.15	33.6	2.07
SUC215		75	130	77.8	32	2.5	33.3	44.5	12	M12×1.5	8.9	53.55	37.6	2.19
SUC215-47	2 15/16		130	77.8	32	2.5	33.3	44.5	12	M12×1.5	8.9	53.55	37.6	2.21
SUC215-48	3		130	77.8	32	2.5	33.3	44.5	12	M12×1.5	8.9	53.55	37.6	2.11
SUC216		80	140	82.6	33	3	33.3	49.3	14	M12×1.5	9.6	58.65	40.8	2.82
SUC216-50	3 1/8		140	82.6	33	3	33.3	49.3	14	M12×1.5	9.6	58.65	40.8	2.9
SUC217		85	150	85.7	35	3	34.1	51.6	14	M12×1.5	10	68	48.8	3.46
SUC217-52	3 1/4		150	85.7	35	3	34.1	51.6	14	M12×1.5	10	68	48.8	3.56
SUC218		90	160	96	37	3	39.7	56.3	15	M12×1.5	11	77.52	54.56	4.53
SUC218-56	3 1/2		160	96	37	3	39.7	56.3	15	M12×1.5	11	77.52	54.56	4.62